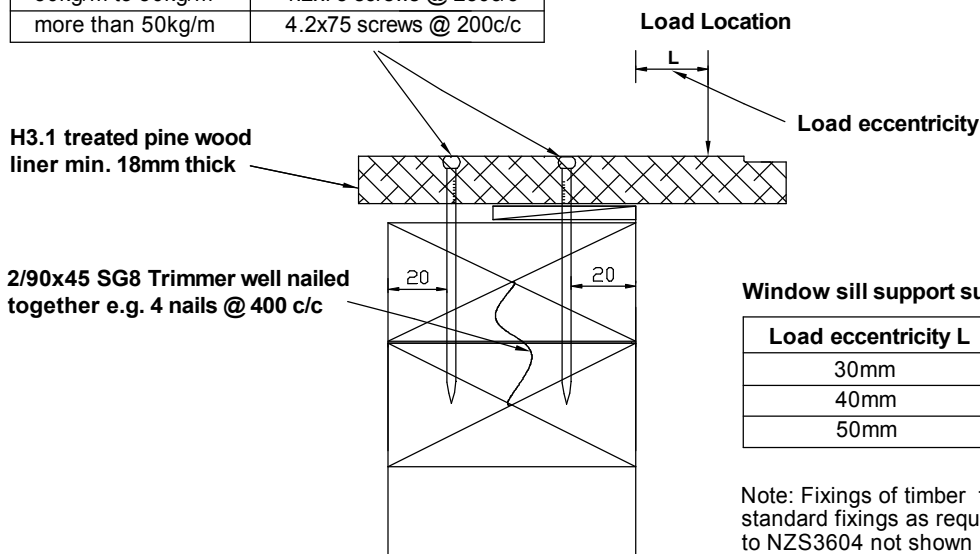


**Typical Window Sill Detail**

**Window sill fixing:**

Load on sill	Fixing requirement
less than 30kg/m	3.55x90 nails @ 200c/c
30kg/m to 50kg/m	4.2x75 screws @ 250c/c
more than 50kg/m	4.2x75 screws @ 200c/c



**Window sill support summary:**

Load eccentricity L	Max allowable loads
30mm	97 kg/m
40mm	87 kg/m
50mm	78 kg/m

Note: Fixings of timber framing design by others, all standard fixings as required or installed in accordance to NZS3604 not shown here for clarity.