

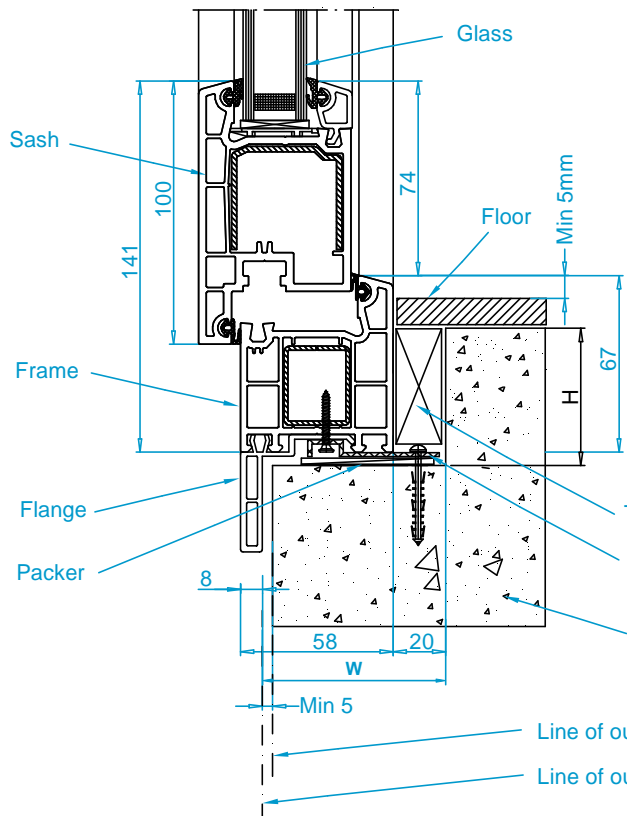
Rebate Table 5.1.1

Floor Type	Thickness (mm)	Rebate Height H (mm)	Rebate Width W (mm) (from back of the flange)
Carpet	20	16	70
Tile	13	23	70
Timber	22	14	70

Note: Rebate width is calculated from the back of the flange. For cavity construction, that is the outside of cladding. For direct fix, that is Min 5mm out of cladding.

If the concrete slab is more than 20mm behind the outside of cladding a support bar shall be fixed to the concrete slab to support the door.

Heavy Duty Frame 116 - Inward Opening



Rebate Table 5.1.2

Floor Type	Thickness (mm)	Rebate Height H (mm)	Rebate Width W (mm) (from back of the flange)
Carpet	20	45	70
Tile	13	52	70
Timber	22	43	70

Note: Rebate width is calculated from the back of the flange. For cavity construction, that is the outside of cladding. For direct fix, that is Min 5mm out of cladding.

If the concrete slab is more than 20mm behind the outside of cladding a support bar shall be fixed to the concrete slab to support the door.

Heavy Duty Frame 116 - Outward Opening