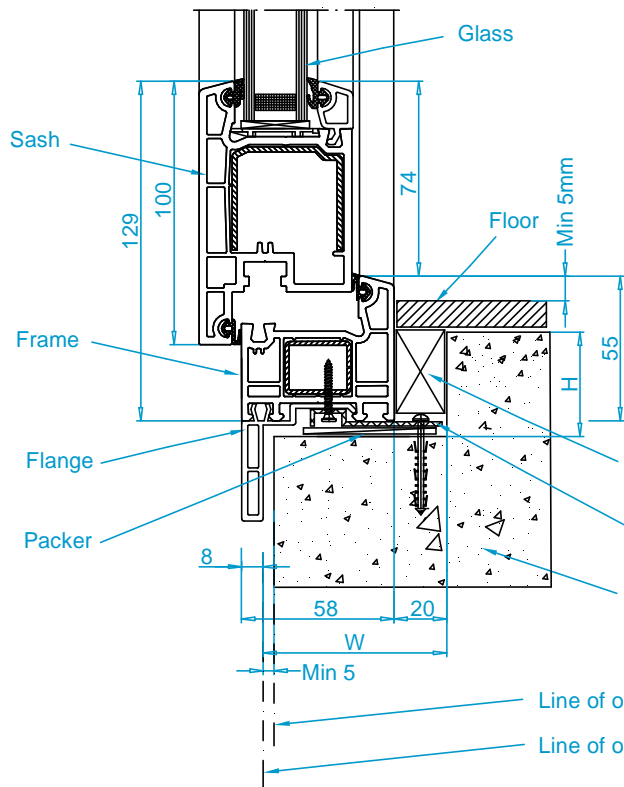


Standard Frame - Inward Opening

Rebate Table 5.2.1

Floor Type	Thickness (mm)	Rebate Height H (mm)	Rebate Width W (mm) (from back of the flange)
Carpet	20	4	70
Tile	13	11	70
Timber	22	2	70

Note: Rebate width is calculated from the back of the flange. For cavity construction, that is the outside of cladding. For direct fix, that is Min 5mm out of cladding.



Standard Frame - Outward Opening

Rebate Table 5.2.2

Floor Type	Thickness (mm)	Rebate Height H (mm)	Rebate Width W (mm) (from back of the flange)
Carpet	20	33	70
Tile	13	40	70
Timber	22	31	70

Note: Rebate width is calculated from the back of the flange. For cavity construction, that is the outside of cladding. For direct fix, that is Min 5mm out of cladding.