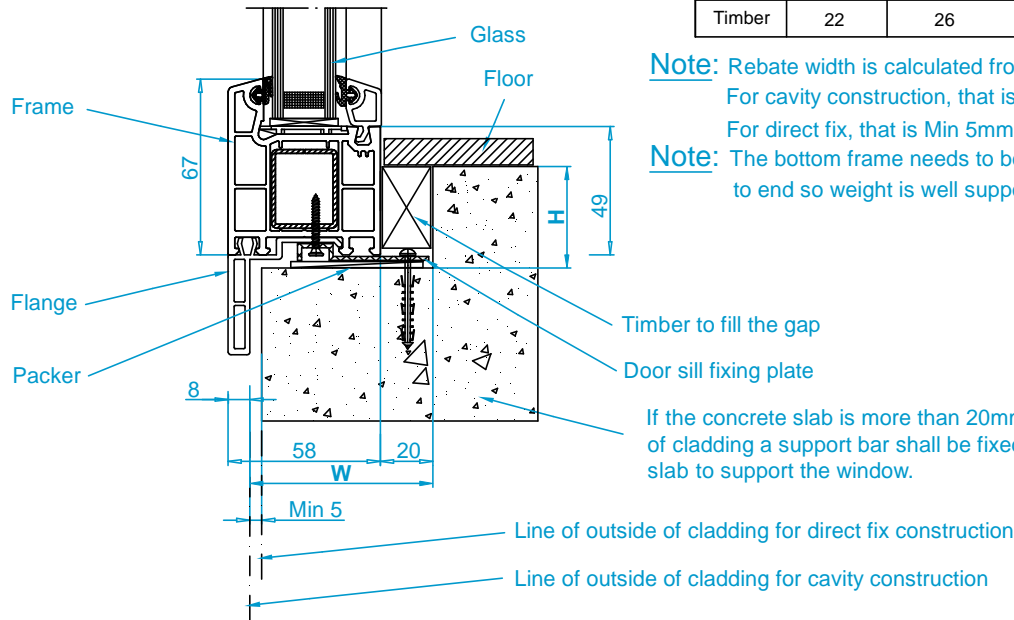


Rebate Table 5.3.1

Floor Type	Thickness (mm)	Rebate Height H (mm)	Rebate Width W (mm) (from back of the flange)
Carpet	20	28	70
Tile	13	35	70
Timber	22	26	70



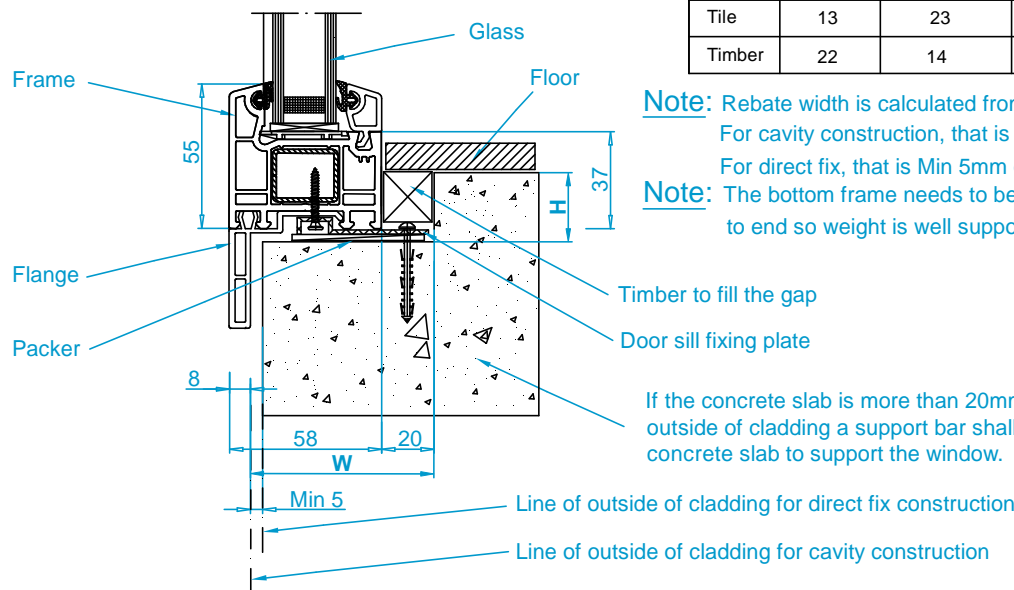
Note: Rebate width is calculated from the back of the flange. For cavity construction, that is the outside of cladding. For direct fix, that is Min 5mm out of cladding.
Note: The bottom frame needs to be packed level from end to end so weight is well supported by the structure.

If the concrete slab is more than 20mm behind the outside of cladding a support bar shall be fixed to the concrete slab to support the window.

Fixed Window - Heavy Duty Frame 116

Rebate Table 5.3.2

Floor Type	Thickness (mm)	Rebate Height H (mm)	Rebate Width W (mm) (from back of the flange)
Carpet	20	16	70
Tile	13	23	70
Timber	22	14	70



Note: Rebate width is calculated from the back of the flange. For cavity construction, that is the outside of cladding. For direct fix, that is Min 5mm out of cladding.
Note: The bottom frame needs to be packed level from end to end so weight is well supported by the structure.

If the concrete slab is more than 20mm behind the outside of cladding a support bar shall be fixed to the concrete slab to support the window.

Fixed Window - Standard Frame