

Rebate Table 5.6.1

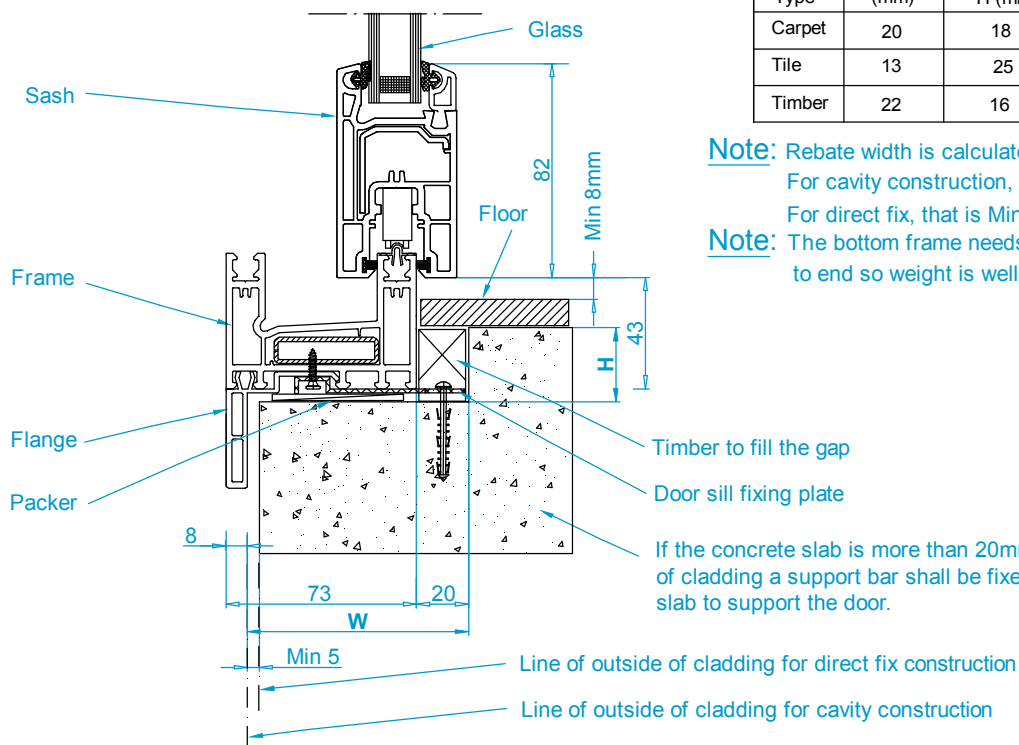
Floor Type	Thickness (mm)	Rebate Height H (mm)	Rebate Width W (mm) (from back of the flange)
Carpet	20	35	102
Tile	13	42	102
Timber	22	33	102

**Note:** Rebate width is calculated from the back of the flange. For cavity construction, that is the outside of cladding. For direct fix, that is Min 5mm out of cladding.

**Note:** The bottom frame needs to be packed level from end to end so weight is well supported by the structure.

If the concrete slab is more than 20mm behind the outside of cladding a support bar shall be fixed to the concrete slab to support the door.

Heavy Duty Sliding Door SL90



Rebate Table 5.6.2

Floor Type	Thickness (mm)	Rebate Height H (mm)	Rebate Width W (mm) (from back of the flange)
Carpet	20	18	85
Tile	13	25	85
Timber	22	16	85

**Note:** Rebate width is calculated from the back of the flange. For cavity construction, that is the outside of cladding. For direct fix, that is Min 5mm out of cladding.

**Note:** The bottom frame needs to be packed level from end to end so weight is well supported by the structure.

If the concrete slab is more than 20mm behind the outside of cladding a support bar shall be fixed to the concrete slab to support the door.

Standard Sliding Door SL73