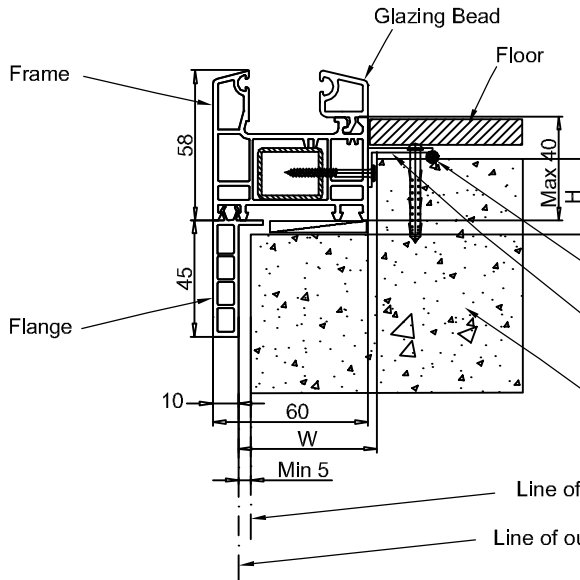


Rebate Table 6.1.1

Floor Type	Thickness (mm)	Rebate Height H (mm)	Rebate Width W (mm) (from back of the flange)
Carpet	20	19	53
Tile	13	26	53
Timber	22	17	53



Note: Rebate width is calculated from the back of the flange. For cavity construction, that is the outside of cladding.

For direct fix, that is Min 5mm out of cladding.

Note: The bottom frame needs to be packed level from end to end so weight is well supported by the structure.

Continuous protective sealant

15x25x1.5 or 25x25x1.5 aluminum angle fixed to steel reinforcement and then to concrete slab at 300mm CRS.

If the concrete slab is more than 20mm behind the outside of cladding a support bar shall be fixed to the concrete slab to support the window.

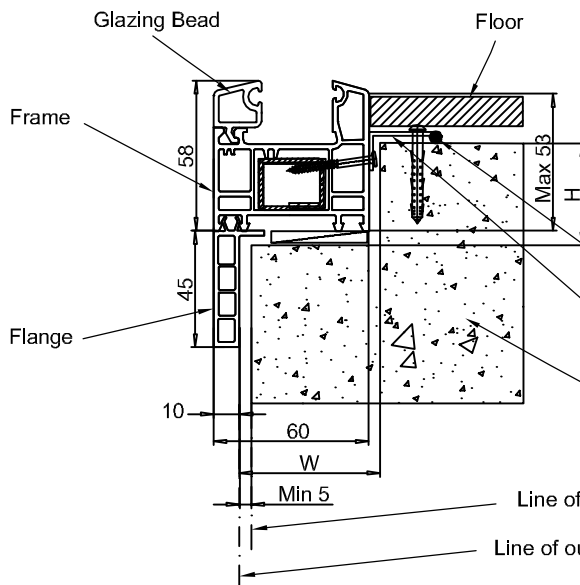
Line of outside of cladding for cavity construction

Line of outside of cladding for direct fix construction

Fixed Window - Glazing from Inside

Rebate Table 6.1.2

Floor Type	Thickness (mm)	Rebate Height H (mm)	Rebate Width W (mm) (from back of the flange)
Carpet	20	32	53
Tile	13	39	53
Timber	22	30	53



Note: Rebate width is calculated from the back of the flange. For cavity construction, that is the outside of cladding.

For direct fix, that is Min 5mm out of cladding.

Note: The bottom frame needs to be packed level from end to end so weight is well supported by the structure.

Continuous protective sealant

15x25x1.5 or 25x25x1.5 aluminum angle fixed to steel reinforcement and then to concrete slab at 300mm CRS.

If the concrete slab is more than 20mm behind the outside of cladding a support bar shall be fixed to the concrete slab to support the window.

Line of outside of cladding for cavity construction

Line of outside of cladding for direct fix construction

Fixed Window - Glazing from Outside