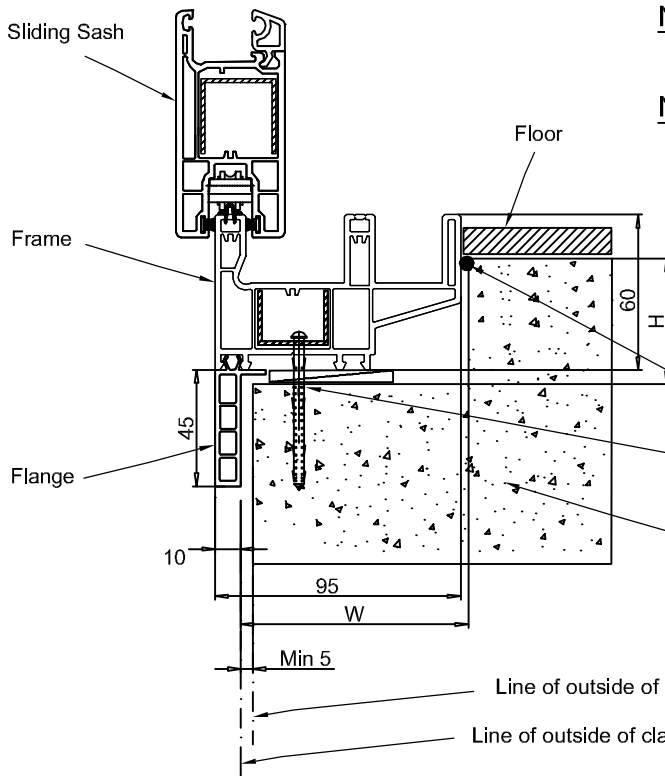


Rebate Table 6.7

Floor Type	Thickness (mm)	Rebate Height H (mm)	Rebate Width W (mm) (from back of the flange)
Carpet	20	39	88
Tile	13	46	88
Timber	22	37	88



Note: Rebate width is calculated from the back of the flange. For cavity construction, that is the outside of cladding.

For direct fix, that is Min 5mm out of cladding.

Note: The bottom frame needs to be packed level from end to end so weight is well supported by the structure.

Continuous protective sealant

Drill through the frame to fix steel reinforcement into concrete slab. The top hole on frame has to be sealed.

If the concrete slab is more than 20mm behind the outside of cladding a support bar shall be fixed to the concrete slab to support the door.

Line of outside of cladding for cavity construction

Line of outside of cladding for direct fix construction

Sliding Door with Inward Open Window in No-sliding Door Panel